

Direct all correspondence to:

Clerk, Water and Navigation, 5th Floor
315 Court Street
Clearwater, FL 33756

Application # _____
(OFFICIAL USE ONLY)

PRIVATE DOCK PERMIT APPLICATION
PINELLAS COUNTY WATER AND NAVIGATION

I. PROPERTY OWNER INFORMATION:

- A. Applicant's Name: _____
- B. Mailing Address: _____
- City: _____ State: _____ Zip: _____
- C. Telephone No: _____ E-mail Address: _____

II. AGENT INFORMATION:

- A. Name: _____
- B. Address: _____
- City: _____ State: _____ Zip: _____
- C. Telephone No: _____ E-mail Address: _____

III. SITE INFORMATION:

- A. Construction Site Address: _____
- City: _____ State: _____ Zip: _____
- B. Parcel ID Number: _____ / _____ / _____ / _____ / _____ / _____
- C. Incorporated: Unincorporated: _____
- D. Affected Water Body: _____
- E. Previous Permits: _____
- F. Date applicant assumed property ownership: _____
month/year
- G. Obstructions: (Dogs, Fences, etc.) _____
- H. Attach 8 1/2" X 11" vicinity map showing specific project location.
- I. All other information pursuant to Section 166-328, Pinellas County Code, as needed.
- J. For projects requiring a public hearing, attach a copy of the complete legal description.

Application # _____
(OFFICIAL USE ONLY)

IV. PROJECT DESCRIPTION:

A. Nature and Size of Project: _____

_____ Square Feet: _____

B. Variance: Yes No
Amount in variance: Length: _____ Width: _____
Setbacks: Left: _____ Right: _____

Other: _____

NOTE: It is the applicant's responsibility to clearly demonstrate that any requested variances are consistent with the variance criteria of Section 166-291 of the Pinellas County Code. The applicant must demonstrate that a literal enforcement of the regulations would result in an extreme hardship due to the unique nature of the project and the applicant's property. The hardship must not be created by action(s) of the project owner(s). The granting of the variance must be in harmony with the general intent of the regulations and not infringe upon the property rights of others. The variance requested must be the minimum possible to allow for the reasonable use of the applicant's property. Should the applicant fail to demonstrate that any variance request is consistent with the criteria outlined in the regulations, staff cannot recommend approval of the application.

V. CONTRACTOR INFORMATION:

I, _____, a certified contractor, state that the dock has not been constructed and that it will be built in compliance with all requirements and standards set forth in the Pinellas County Code, and in accordance with the attached drawings which accurately represent all the information required to be furnished. In the event that this dock is not built in accordance with the permit or the information furnished is not correct, I agree to either remove the dock or correct the deficiency.

Signed: _____ Cert No.: _____

Company Name: _____ Telephone No: _____

City: _____ State: _____ Zip: _____

E-mail Address: _____

VI. OWNER'S SIGNATURE:

I hereby apply for a permit to do the above work and state that the same will be done according to the map or plan attached hereto and made a part hereof, and agree to abide by the criteria of the Pinellas County Code for such construction and, if said construction is within the corporate limits of a municipality, to first secure approval from said municipality. I further state that said construction will be maintained in a safe condition at all times, should this application be approved, that I am the legal owner of the upland from which I herein propose to construct the improvements, and that the above stated agent/contractor may act as my representative. I understand that I, not Pinellas County, am responsible for the accuracy of the information provided as part of this application and that it is my responsibility to obtain any necessary permits and approvals applicable for the proposed activities on either private or sovereign owned submerged land.

Date

Legal Owner's Signature

PRIVATE DOCK

Application # _____
(OFFICIAL USE ONLY)

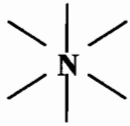
MHW

MLW

BOTTOM

Profile View

ENG. SCALE: 1" = _____



TOTAL SQUARE FEET _____
NEW SQUARE FEET _____
WATERWAY WIDTH _____
WATERFRONT WIDTH _____

Plan View

(applicant and adjacent docks)

SHORELINE

The undersigned does not object to the proposed dock and requested variances as drawn in the space provided above.

Left Owner

Right Owner

Signature

Date

Signature

Date

Municipality Approval

Water and Navigation Approval

VARIANCE REQUEST FORM

Application # _____
(OFFICIAL USE ONLY)

Left Lot Owner's Name _____

Mailing Address _____ Zip _____

I certify that I am the owner of Lot _____ which adjoins the property owned by the applicant who proposes to construct a dock at the following address:

I have seen the plans of the proposed structure(s) along with any requested variances (see Section IV.B of the application) and: DO OBJECT DO NOT OBJECT to the proposed construction.

OWNER'S SIGNATURE: _____ Date _____

NOTARY:

STATE OF FLORIDA, PINELLAS COUNTY, BEFORE ME, the undersigned authority, personally appeared _____, well known to me, or who provided a valid Florida Driver's License to be the person who executed the foregoing instrument and that he/she acknowledged to me, under oath, that he/she signed the same freely and voluntarily for the purposes expressed therein.

Witness my hand and official seal this _____ day of _____, 20 _____

Notary Public

My commission expires: _____

Right Lot Owner's Name _____

Mailing Address _____ Zip _____

I certify that I am the owner of Lot _____ which adjoins the property owned by the applicant who proposes to construct a dock at the following address:

I have seen the plans of the proposed structure(s) along with any requested variances (see Section IV.B of the application) and: DO OBJECT DO NOT OBJECT to the proposed construction.

OWNER'S SIGNATURE: _____ Date _____

NOTARY:

STATE OF FLORIDA, PINELLAS COUNTY, BEFORE ME, the undersigned authority, personally appeared _____, well known to me, or who provided a valid Florida Driver's License to be the person who executed the foregoing instrument and that he/she acknowledged to me, under oath, that he/she signed the same freely and voluntarily for the purposes expressed therein.

Witness my hand and official seal this _____ day of _____, 20 _____

Notary Public

My commission expires: _____

Application # _____
(OFFICIAL USE ONLY)

DISCLOSURE FORM

In order to alleviate any potential conflict of interest with Pinellas County staff, it is required that the County be provided with a listing of PERSONS being party to a trust, corporation, or partnership, as well as anyone who may have beneficial interest in the application which would be affected by any decision rendered by the County (attach additional sheets if necessary).

A. PROPERTY OWNERS:

Name: _____ Name: _____
Address: _____ Address: _____

Name: _____ Name: _____
Address: _____ Address: _____

B. REPRESENTATIVES:

Name: _____ Name: _____
Address: _____ Address: _____

Name: _____ Name: _____
Address: _____ Address: _____

C. OTHER PERSONS HAVING OWNERSHIP INTEREST IN THE SUBJECT PROPERTY:

Interest is: contingent absolute

Name: _____ specific interest held: _____

D. DOES A CONTRACT FOR SALE EXIST FOR THE SUBJECT PROPERTY? YES NO

If so, the contract is: contingent absolute

Name of parties to the contract: _____

E. DOES AN OPTION TO PURCHASE EXIST FOR THE SUBJECT PROPERTY? YES NO

Name of parties to the option: _____

F. OWNER'S SIGNATURE:

I hereby certify that the information stated above is complete, accurate, and true to the best of my knowledge.

X _____ Date _____

Consent to Use State-Owned Submerged Lands

DO YOU LIVE OR DO BUSINESS ON THE WATER?

If so, you may need authorization to use the lands under the water from the owners of those lands. This authorization is in addition to any city, county, Florida Department of Environmental Protection, U.S. Army Corps of Engineers, or Water Management District permit.

WHAT LANDS ARE WE TALKING ABOUT AND WHO OWNS THEM?

Sovereign submerged lands are all those submerged lands waterward of the ordinary or mean high water line under navigable fresh and salt water bodies. The Governor and Cabinet, sitting as the Board of Trustees of the Internal Improvement Trust Fund, hold title to all of those lands below navigable waters which have not been previously conveyed into private ownership. Portions of these submerged lands have been designated as "aquatic preserves" and because of their unique biological, aesthetic or scientific value, they are held and managed to a higher degree of care. Since the State owns these lands, both public and private entities must obtain consent to use them.

WHY IS CONSENT NECESSARY AND BY WHAT AUTHORITY IS IT REQUIRED?

These lands are held in trust for the use and benefit of the people of the State, as set forth in the State Constitution; therefore, the private use of these lands must be balanced with the need to conserve and protect the scientific value and beauty of those lands. The intent of the regulations is to ensure that all sovereign submerged lands are managed primarily for the propagation of fish and wildlife, and public recreation. The legislative origins of the procedures employed in the review of applications to use sovereignty submerged lands are contained within Chapters 253 and 258 of the Florida Statutes. These statutes are implemented through rules which are contained within Chapters 18-14, 18-18, 18-20 and 18-21 of the Florida Administrative Code. It is important to contact the Department of Environmental Protection before you use these lands.

WHAT TYPE OF ACTIVITIES REQUIRE AUTHORIZATION?

Uses that require authorization must be approved before they are conducted. The most commonly requested uses are the construction of docks, the placement of riprap, dredging for access or channels, mangrove trimming, bridge and utility crossings, and beach renourishment projects.

WHAT DO YOU HAVE TO DO AND IS THERE A FEE?

The form of consent that is required depends upon the type of activity that is proposed. Forms of consent include letters, easements, use agreements, management agreements, and leases. The type of activity proposed also determines the amount of fees; however, commercial uses will always require payment of fees.

WHAT HAPPENS IF YOU DO NOT RECEIVE AUTHORIZATION TO USE THESE LANDS?

Alterations to, or structures discovered on, sovereignty submerged lands without authorization are subject to lease fees in arrears, with interest, and fines. In some cases, removal of structures may also be required.

WHO DO YOU CONTACT TO INQUIRE ABOUT THE USE OF THESE LANDS?

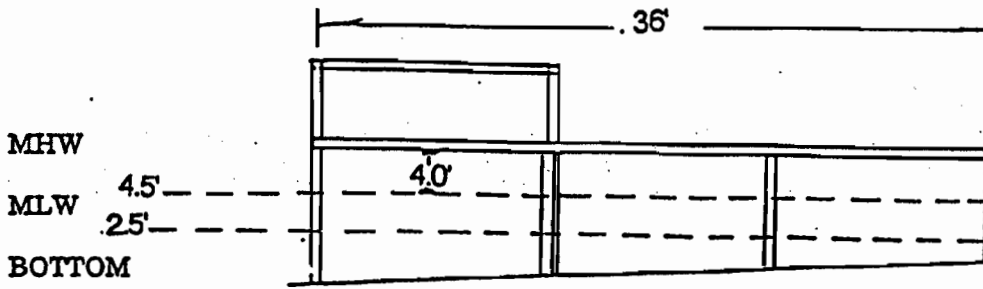
The Department of Environmental Protection Division of State Lands field office listed below.

Department of Environmental Protection
Southwest District
13051 N. Telecom Parkway
Temple Terrace, FL 33637
Phone: (813) 632-7600
Fax: (813) 632-7665

PRIVATE DOCK

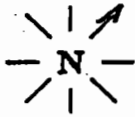
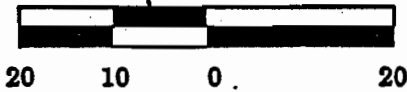
Application # _____

(OFFICIAL USE ONLY)



Profile View

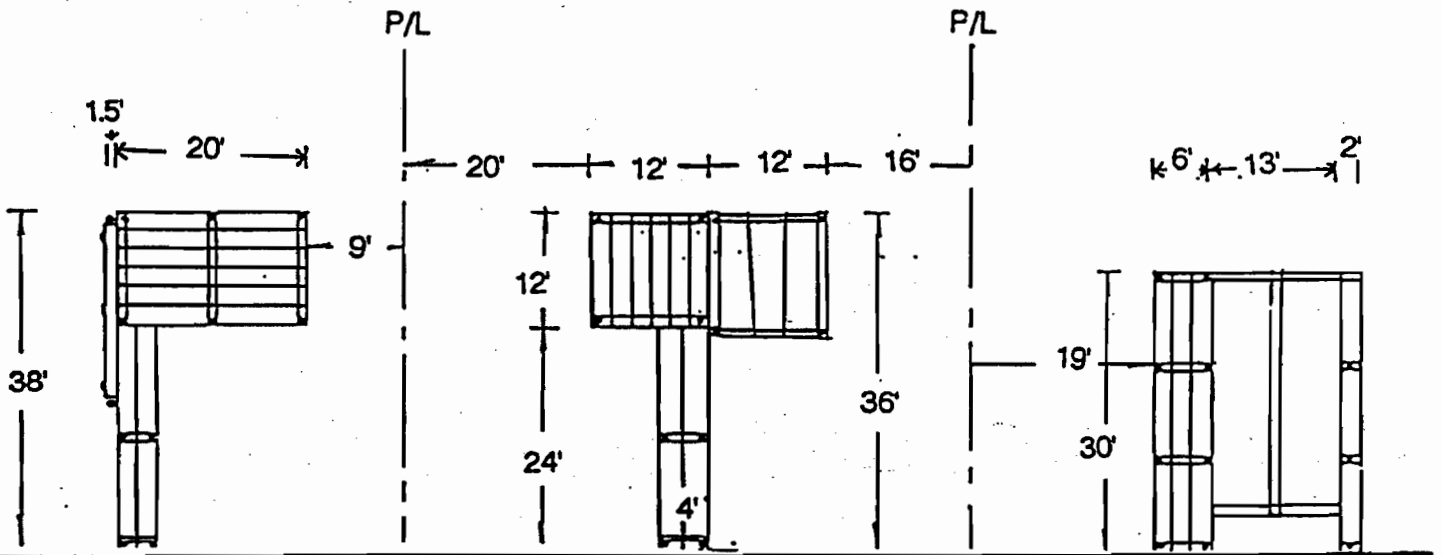
ENG. SCALE: 1" = 20'



TOTAL SQUARE FEET	240
WATERWAY WIDTH	180'
WATERFRONT WIDTH	60'

Plan View
(applicant and adjacent docks)

SAMPLE



SHORELINE

The undersigned does not object to the proposed dock and requested variances as drawn in the space provided above.

Left Owner

Right Owner

Signature

Date

Signature

Date

Municipality Approval

Water and Navigation Approval